

TECHNICAL INFORMATION

VEGAS

Upholstered furniture

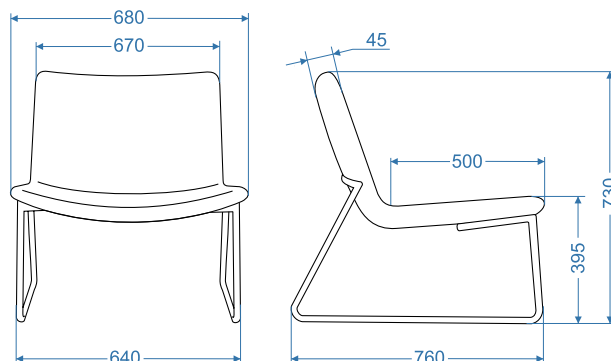
2015
12 11



SPA015



SPA017
(one horizontal stitching)



TECHNICAL FEATURES

Frame: 20mm chromed bended steel frame fixed with 4 screws.

Seat and back: wooden inner part with glued cold injected foam (HR3030, density: 28-31 kg/m³) and sintepon upholstered with fabric or leather.

PACKING

Weight NET, kg	Weight, kg	Package type	Unit per box	Volume, m ³	Units per palette	Boxes per palette	Box dimensions LxWxH (cm)	Pallet dimensions LxWxH (cm)
10,4	13,2	assembled	1	0,44	4	4	700x790x800	1400x800x1700

CHARACTERISTICS

Lightness and flexibility. Minimalist design, graceful and elegant forms.

Production date: 2014-02-28

Guarantee: 3 years