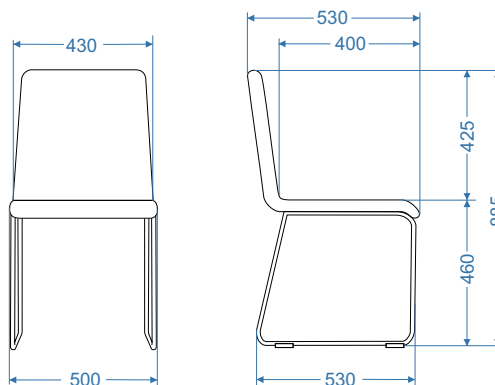


# TECHNICAL INFORMATION

# MOON CONFERENCE CHAIR

2014  
08 25



## TECHNICAL FEATURES

- Bases:** chromed-plated SLED frame, 11mm diameter. Stackable (up to 5 chairs).
- Seat:** made from chipboard, covered with foam (density (H5050): 48-51 kg/m<sup>3</sup>; 170-210 N.). Upholstered with fabric or leather.
- Back:** made from chipboard, covered with foam (density (H5050): 48-51 kg/m<sup>3</sup>; 170-210 N.). Upholstered with fabric or leather.

## PACKING

Weight NET, kg	Weight, kg	Package type	Unit per box	Volume, m <sup>3</sup>	Units per palette	Boxes per palette	Box dimensions LxWxH (cm)	Pallet dimensions LxWxH (cm)
6,8	8,96	assembled	1	0,36	4	4	1200x800x2050	680x550x940

## CHARACTERISTICS

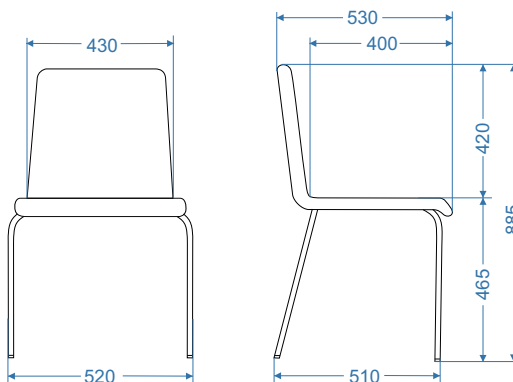
Elegant and universal design chair system, suitable for various office spaces.

**Production date:** 2013-07-19  
**Guarantee:** 3 years

# TECHNICAL INFORMATION

# MOON CONFERENCE CHAIR

2014  
08 25



## TECHNICAL FEATURES

- Bases:** four-legg chrome-plated steel frame, 18mm diameter. Stackable (up to 5 chairs). Gliders allows linkage of chairs to lines.
- Seat:** made from chipboard, covered with foam (density (H5050): 48-51 kg/m<sup>3</sup>; 170-210 N.). Upholstered with fabric or leather.
- Back:** made from chipboard, covered with foam (density (H5050): 48-51 kg/m<sup>3</sup>; 170-210 N.). Upholstered with fabric or leather.

## PACKING

Weight NET, kg	Weight, kg	Package type	Unit per box	Volume, m <sup>3</sup>	Units per palette	Boxes per palette	Box dimensions LxWxH (cm)	Pallet dimensions LxWxH (cm)
5,74	7,9	assembled	1	0,36	4	4	1200x800x2050	680x550x940

## CHARACTERISTICS

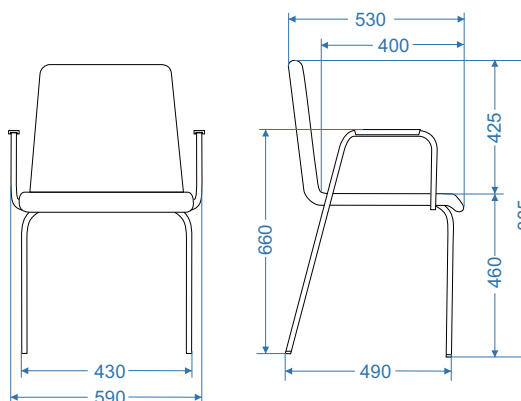
Elegant and universal design chair system, suitable for various office spaces.

**Production date:** 2013-07-19  
**Guarantee:** 3 years

# TECHNICAL INFORMATION

# MOON CONFERENCE CHAIR

2014  
08 25



## TECHNICAL FEATURES

- Bases:** four-legg steel frame (18mm diameter) with integrated armrests with plastic finish. Stackable (up to 5 chairs). Gliders allows linkage of chairs to lines. Right – hand folding table is available.
- Seat:** made from chipboard, covered with foam (density (H5050): 48-51 kg/m<sup>3</sup>; 170-210 N.). Upholstered with fabric or leather.
- Back:** made from chipboard, covered with foam (density (H5050): 48-51 kg/m<sup>3</sup>; 170-210 N.). Upholstered with fabric or leather.

## PACKING

Weight NET, kg	Weight, kg	Package type	Unit per box	Volume, m <sup>3</sup>	Units per palette	Boxes per palette	Box dimensions LxWxH (cm)	Pallet dimensions LxWxH (cm)
9,84	11,34	assembled	1	0,36	4	4	1200x800x2050	680x550x940

## CHARACTERISTICS

Elegant and universal design chair system, suitable for various office spaces.

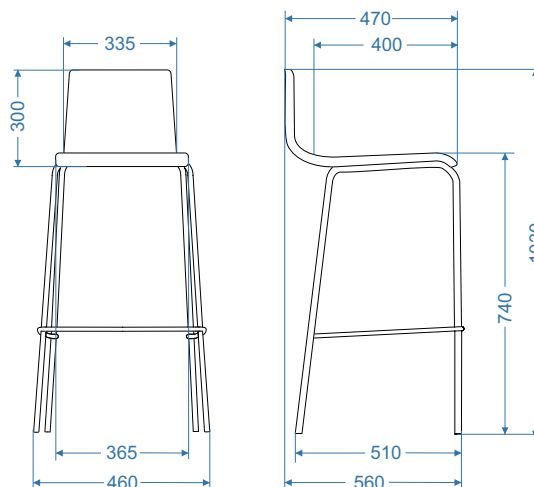
**Production date:** 2013-07-19  
**Guarantee:** 3 years

# TECHNICAL INFORMATION

# MOON

HIGH CHAIR

2014  
08 25



## TECHNICAL FEATURES

- Bases:** Four-legg chromed steel frame (16mm diameter).
- Seat:** made from chipboard, covered with foam (density (H5050): 48-51 kg/m<sup>3</sup>; 170-210 N.). Upholstered with fabric or leather.
- Back:** made from chipboard, covered with foam (density (H5050): 48-51 kg/m<sup>3</sup>; 170-210 N.). Upholstered with fabric or leather.

## PACKING

Weight NET, kg	Weight, kg	Package type	Unit per box	Volume, m <sup>3</sup>	Units per palette	Boxes per palette	Box dimensions LxWxH (cm)	Pallet dimensions LxWxH (cm)
5,86	7,82	assembled	1	0,35	4	4	1200x800x2050	680x550x940

## CHARACTERISTICS

Elegant and universal design chair system, suitable for various office spaces.

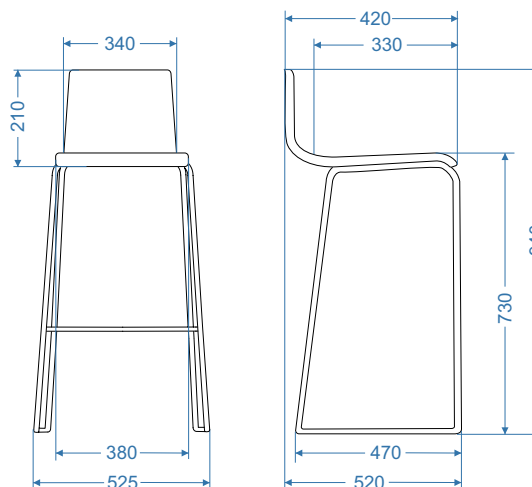
**Production date:** 2013-07-19  
**Guarantee:** 3 years

# TECHNICAL INFORMATION

# MOON

HIGH CHAIR

2015  
07 27



## TECHNICAL FEATURES

- Bases:** chromed-plated SLED frame, 11mm diameter.
- Seat and back:** made of veneer: beech / oak / white matt beech laminated / beech stained black.

## PACKING

Weight NET, kg	Weight, kg	Package type	Unit per box	Volume, m <sup>3</sup>	Units per palette	Boxes per palette	Box dimensions LxWxH (cm)	Pallet dimensions LxWxH (cm)
5,86	7,82	assembled	1	0,35	4	4	570x530x1160	680x550x940

## CHARACTERISTICS

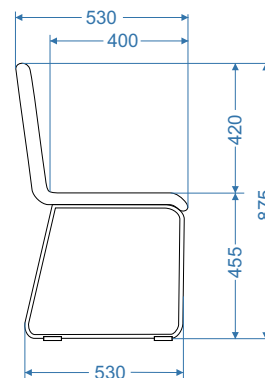
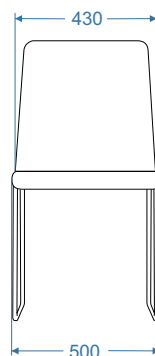
Elegant and universal design chair system, suitable for various office spaces.

**Production date:** 2015-07-07  
**Guarantee:** 3 years

# TECHNICAL INFORMATION

# MOON CONFERENCE CHAIR

2014  
08 25



## TECHNICAL FEATURES

- Bases:** Chromed-plated sled, 11mm diameter. Stackable (up to 5 chairs).
- Seat and back:** Backrest and seat (monoblock) made from beech, oak veneer or laminate.

## PACKING

Weight NET, kg	Weight, kg	Package type	Unit per box	Volume, m <sup>3</sup>	Units per palette	Boxes per palette	Box dimensions LxWxH (cm)	Pallet dimensions LxWxH (cm)
9,84	11,34	assembled	1	0,36	4	4	1200x800x2050	680x550x940

## CHARACTERISTICS

Elegant and universal design chair system, suitable for various office spaces.

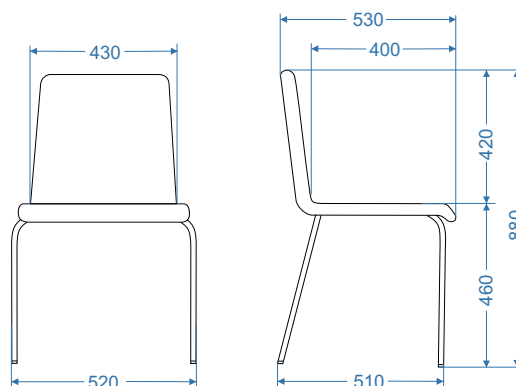
**Production date:** 2013-07-19  
**Guarantee:** 3 years

# TECHNICAL INFORMATION

# MOON

CONFERENCE CHAIR

2014  
08 25



## TECHNICAL FEATURES

- Bases:** Four-leg chrome-plated steel frame, 18mm diameter. Stackable (up to 5 chairs). Gliders allows linkage of chairs to lines.
- Seat and back:** Backrest and seat (monoblock) made from beech, oak veneer or laminate.

## PACKING

Weight NET, kg	Weight, kg	Package type	Unit per box	Volume, m <sup>3</sup>	Units per palette	Boxes per palette	Box dimensions LxWxH (cm)	Pallet dimensions LxWxH (cm)
9,84	11,34	assembled	1	0,24	4	4	1200x800x2050	680x550x940

## CHARACTERISTICS

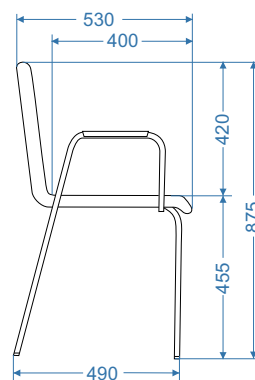
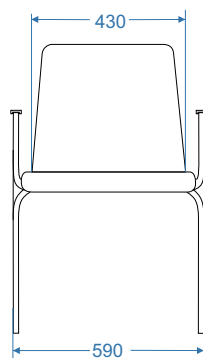
Elegant and universal design chair system, suitable for various office spaces.

**Production date:** 2013-07-19  
**Guarantee:** 3 years

# TECHNICAL INFORMATION

# MOON CONFERENCE CHAIR

2014  
08 25



## TECHNICAL FEATURES

- Bases:** Four-legg steel frame (18mm diameter) with integrated armrests with plastic finish. Stackable (up to 5 chairs). Gliders allows linkage of chairs to lines. Right – hand folding table is available.
- Seat and back:** Backrest and seat (monoblock) made from beech, oak veneer or laminate.

## PACKING

Weight NET, kg	Weight, kg	Package type	Unit per box	Volume, m <sup>3</sup>	Units per palette	Boxes per palette	Box dimensions LxWxH (cm)	Pallet dimensions LxWxH (cm)
9,84	11,34	assembled	1	0,27	4	4	1200x800x2050	680x550x940

## CHARACTERISTICS

Elegant and universal design chair system, suitable for various office spaces.

**Production date:** 2013-07-19  
**Guarantee:** 3 years