

# GAMA chair family



## TECHNICAL INFORMATION

### Types

- Visitor chairs.

### Seat

- Lower part made of PP (polypropylene);
- Foam made of cut foam (density H5050);
- Upholstered with fabric or leather.

### Back

- Frame made of black plastic;
- Foam made of cut foam (density H5050) (fabric upholstery);
- Upholstered with fabric, leather or mesh.

### Armrests

- Integrated armrests with plastic pads.

### Bases

- 4-leg chromed or powder-coated steel frame with plastic glides, Ø 25 mm;
- 4-leg chromed or powder-coated steel frame with castors, Ø 25 mm;
- Cantilever chromed or powder-coated steel frame with plastic glides, Ø 25 mm.

### Castors

- Rubber free wheel castors for hard floor, Ø 50 mm;
- PA (polyamide) free wheel castors for soft floor, Ø 50 mm

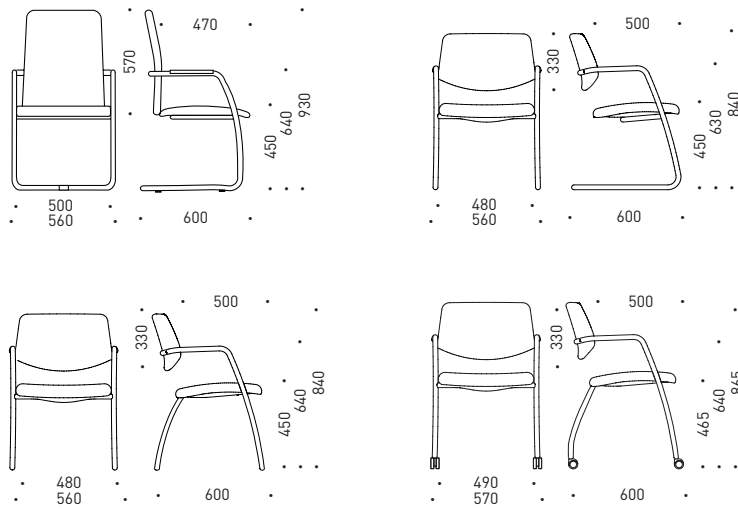
## MATERIALS

- Fabric: BONDAL, BERTA, ERA, XTREME PLUS, VELITO, SYNERGY;
- Genuine leather: DNN;
- Leather look: RNN;
- Mesh: PM, GM;
- Metal: M (metallic), H (chrome), A (black).

## GUARANTEE

- 3 years

## RANGE



Visitor chairs

## ORDERING EXAMPLE

### Code structure

